

DAGA POWER GROUP

ISO 9001: 2015 CERTIFIED ORGANIZATION



RACEWAYS & SOLID BOTTOM CABLE TRAYS



+91 9007080808



32 EZRA STREET, 5TH FLOOR ROOM NO #505,
KOLKATA- 700001



JALAN INDUSTRIAL COMPLEX, NNH-6, GATE
NO.1, 6TH RIGHT LANE, VILL: BENIARA, PS DOMJUR,
PO: BEGRI,
HOWRAH- 711411

www.dagapowergroup.in
marketing@dagapowergroup.in



ABOUT US

DAGA POWER SYSTEMS & ENGINEERS PVT. LTD., is a Kolkata, West Bengal Based Leading Manufacturer of cable trays & cable tray accessories which started its journey in the year 2003. During the Last more than 15 years of our operation, we have added several other products as well to our product basket and we are currently manufacturing a vast variety of cable glands, cable lugs, cable trays, cable tray accessories, Tower Structure & earthing materials.

MISSION

Our Mission is to offer excellent products, in accordance with both national & international standards and set a benchmark for our competitors keeping our codes of conduct and integrity intact.

VISION

Our vision is to grow our multi-disciplinary team in order to cater to the growing demand of our products in India & abroad with best quality products on a wider scale using high quality manufacturing process & best quality raw materials available in our industry, so that we can become the No. 1 choice of customers through excellence and efficiency in consignment execution in all aspects.



COPPER CABLE LUG

Entire Range of copper tubular terminals are made from ETP Grade Copper. Terminals are exclusively designed for sturdy performance even on adverse conditions. Unique type test are conducted as per IS-8337. The range of the terminals & connectors starts from 0.5 mm to 1000 mm with many variations suiting to many industries.

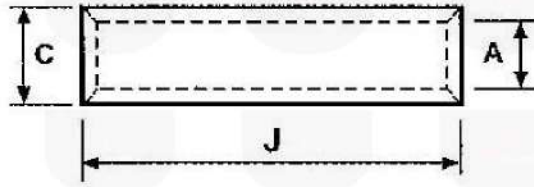
We also undertake manufacturing of tailor made item as per customers requirement.

APPLICATION

Widely used to terminate cables to distribution boxes and transformers.

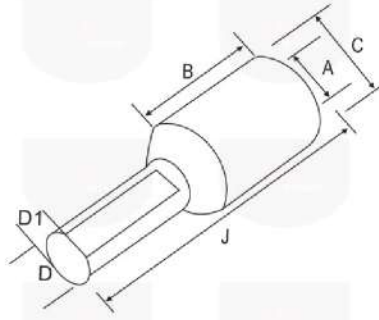
They are used to terminating any size of cables, electrical switching equipments.

Material : Copper IS -191
conforming to BS-1977
Finish : Electro Tinned
Tolerance : +/-5%
Also specially available Lead Coating



COPPER INLINE CONNECTOR HEAVY DUTY

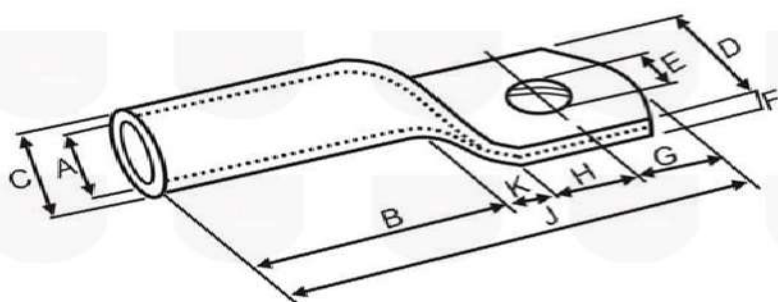
Item No.	AREA mm ²	A	C	J	DAGA POWER CAT NO.
1	1.5	1.8	3.7	12	DPCB-41
2	2.5	2.4	4	15	DPEH-454
3	4	3.1	4.8	15	DPCB-3
4	6	3.8	5.5	15	DPCB-4
5	10	4.5	6.2	20	DPEH-460
6	16	5.4	7.1	20	DPCB-6
7	20	6	7.7	22	DPCB-47
8	25	6.8	8.8	32	DPCB-24
9	35	8.2	10.6	36	DPCB-25
10	60	9.5	12.4	40	DPCB-26
11	70	11.2	14.7	40	DPCB-51
12	95	13.1	17.4	45	DPCB-52
13	120	15	19.4	45	DPCB-53
14	150	16.5	21.2	55	DPCB-54
15	185	18.5	23.5	65	DPCB-55
16	240	21	26.5	60	DPCB-56
17	300	23.5	30	85	DPCB-57
18	400	26.8	34.8	90	DPCB-58
19	500	30	39	100	DPCB-59
20	550	31.7	41.4	100	DPCB-60
21	630	35	45	110	DPCB-61
22	800	39	50.6	150	DPCB-42
23	1000	43	56.2	170	DPCB-43

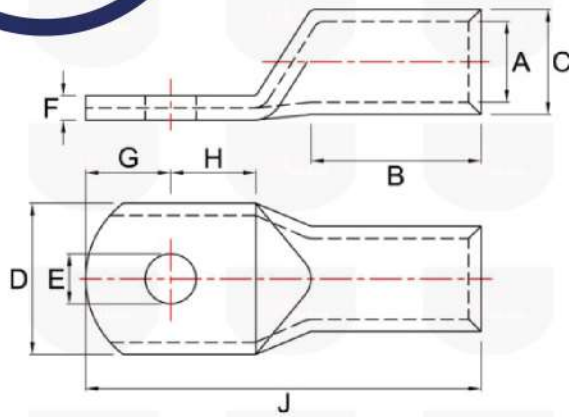


Item No.	AREA mm ²	A	C	D	B	J	DAGA POWER CAT NO.
1	2.5	2.5	4.7	3.8	6	20	DPWPC-7
2	4	2.8	4.7	3.8	6	20	DPWPC-16
3	6	3.1	4.7	3.8	6	20	DPWPC-18
4	10	3.8	5.5	3.8	9	23	DPWPC-20
5	10	4.4	6.2	3.8	9	23	DPWPC-22
6	16	5.3	7.1	6	12	37	DPWPC-24
7	16	5.3	7.1	3.8	12	30	DPPWPC-2
8	25	7	9	6	12	32	WPC-25
9	25	7	9	7.5	12	37	DPWPC-3
10	35	8	10	7.5	12	37	DPWPC-4
11	50	9.2	11.2	7.5	16	41	DPWPC-26
12	70	11.5	13.8	11.5	18	48	DPWPC-6
13	70	11.5	13.8	7.5	18	43	DPWPC-27
14	95	12.8	15.6	11.5	20	51	DPWPC-29
15	95	12.8	15.6	15.6	20	53	DPWPC-8
16	95	12.8	15.6	7.5	20	48	DPWPC-31
17	120	14.8	17.8	7.5	22	50	DPWPC-34
18	120	14.8	17.8	11.5	22	60	DPWPC-35
19	120	14.8	17.8	15.6	22	60	DPWPC-36
20	150	16	19.6	15.6	26	64	DPWPC-10
21	150	16	19.6	11.5	26	64	DPWPC-37
22	185	18	22	15.6	32	70	DPWPC-30
23	185	18	22	11.5	32	70	DPWPC-38
24	225	20	26	15.6	38	76	DPWPC-39
25	225	20	26	21	38	88	DPWPC-46
26	240	22	26	16	38	88	DPWPC-44
27	240	22	26	15.6	38	78	DPWPC-43
28	300	24	28.7	15	42	92	DPWPC-45
29	300	24	28.7	15.6	42	82	DPWPC-47
30	400	28	33.2	15.6	44	90	DPWPC-101

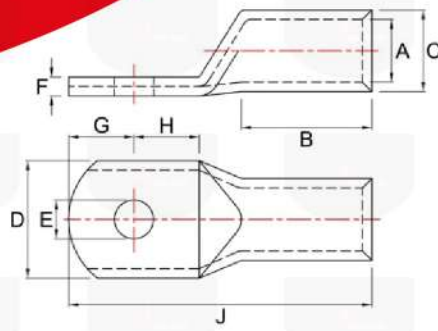


Item No.	AREA mm ²	E	A	C	D	F	B	K	H	G	J	DAGA POWER CAT. No.
1	25	8	7.0	9	13	2	16	5	12	8	41	DPCUS-282
2	35	8	8	10.6	15	2.6	20	5	14	9	48	DPCUS-283
3	50	8	9.2	12.2	17	3	26	7	16	10	59	DPCUS-284
4	70	10	11.5	15	20	3.5	28	7	19	12	66	DPCUS-285
5	95	12	12.8	17	24	4.2	32	10	20	12	74	DPCUS-286
6	120	12	14.8	19.6	28	4.8	35	10	23	14	82	DPCUS-287
7	150	12	16	21.2	30	5.2	38	10	24	14	86	DPCUS-288
8	185	12	18	24	34	6	43	12	23	17	95	DPCUS-289
9	240	16	22	28	40	6	50	12	30	20	112	DPCUS-290
10	300	16	24	31	44	7	54	14	32	20	120	DPCUS-291
11	400	20	28	36	52	8.4	67	16	32	24	139	DPCUS-292
12	500	21	30	41	58	11	80	20	34	22	156	DPCUS-293
13	630	21	35	46	66	11	93	22	38	28	181	DPCUS-294





Item No.	AREA mmr	CABLE SIZE	E	A	C	D	F	B	K	H	G	J	DAGA POWER CAT. No.
1	2.5	1/1.8	5.2	2.0	3.7	9	1.0	7	3	5	5	20	DPCUS-05
2	4	1/2.8	6.5	3.1	4.8	11	1.0	7	3	6	6	22	DPCUS-06
3	6	1/3.55	6.5	3.8	5.5	11	1.0	9	3	6	6	24	DPCUS-07
4	10	7/1.4	6.5	4.4	6.2	11	1.3	9	3	6	6	24	DPCUS-08
5	16	7/1.7	6.5	5.3	7.1	11	1.6	12	4	8	6	30	DPCUS-09
6	25	7/2.24	6.5	7.0	9.0	13	2.0	12	5	12	8	37	DPCUS-10
7	35	7/2.5	6.5	8.0	10.0	15	2.0	12	5	12	8	37	DPCUS-11
8	35	7/2.5	8.2	8.0	10.0	15	2.0	12	5	12	8	37	DPCUS-12
9	50	19/1.8	6.5	9.2	11.2	16	2.0	16	8	12	9	45	DPCUS-13
10	50	19/1.8	8.2	9.2	11.2	16	2.0	16	8	12	9	45	DPCUS-14
11	50	19/1.8	10.2	9.2	11.2	16	2.0	16	8	12	9	45	DPCUS-15
12	70	19/2.24	8.2	11.5	13.8	20	2.3	18	10	15	13	56	DPCUS-16
13	70	19/2.24	10.2	11.5	13.8	20	2.3	18	10	15	13	56	DPCUS-17
14	70	19/2.24	12.7	11.5	13.8	20	2.3	18	10	15	13	56	DPCUS-18
15	95	19/2.5	10.2	12.8	15.6	23	2.8	20	10	15	13	58	DPCUS-19
16	95	19/2.5	12.7	12.8	15.6	23	2.8	20	10	15	13	58	DPCUS-20
17	120	37/2.06	10.2	14.8	17.8	26	3.0	22	10	16	14	62	DPCUS-21
18	120	37/2.06	12.7	14.8	17.8	26	3.0	22	10	16	14	62	DPCUS-22
19	120	37/2.06	16.2	14.8	17.8	26	3.0	22	10	16	14	62	DPCUS-23
20	150	37/2.24	10.2	16.0	19.6	28	3.6	26	11	18	15	70	DPCUS-24
21	150	37/2.24	12.7	16.0	19.6	28	3.6	26	11	18	15	70	DPCUS-25
22	150	37/2.24	16.2	16.0	19.6	28	3.6	26	11	18	15	70	DPCUS-26
23	185	37/2.5	12.7	18.0	22.0	32	4.0	28	13	21	21	83	DPCUS-27
24	185	37/2.5	16.2	18.0	22.0	32	4.0	28	13	21	21	83	DPCUS-28
25	225	37/2.8	16.2	20.0	24.0	35	4.0	32	15	24	24	95	DPCUS-231
26	240	61/2.24	16.2	22.0	26.0	38	4.0	34	15	24	24	97	DPCUS-29
27	240	61/2.24	20.3	22.0	26.0	38	4.0	34	15	24	24	97	DPCUS-30
28	300	61/2.5	16.2	24.0	28.7	42	4.7	36	16	25	25	103	DPCUS-31
29	300	61/2.5	20.3	24.0	28.7	42	4.7	36	16	25	25	103	DPCUS-32
30	400	61/3.0	20.3	28.0	33.2	49	5.2	44	18	27	27	116	DPCUS-33
31	500	91/2.65	20.3	30.0	36.0	53	6.0	48	18	27	27	120	DPCUS-34
32	630	91/3.0	20.3	35.0	41.5	61	6.5	53	20	33	31	137	DPCUS-35
33	800	91/3.35	-	39.0	46.3	67	7.3	68	25	38	37	165	DPCUS-062
34	1000	91/3.75	-	43.0	53.8	76	10.8	90	30	45	45	210	DPCUS-076



Item No.	AREA mm ²	E	A	C	D	B	J	DAGA POWER CAT NO.
1	1.5	5.2	1.8	3.7	8	5	16	DPCUS-538
2	1.5	6.5	1.8	3.7	10	5	18	DPCUS-539
3	2.5	4.2	2.4	4	8	7	18	DPCUS-388
4	2.5	5.2	2.4	4	10	7	20	DPCUS-540
5	2.5	6.5	2.4	4	10	7	20	DPCUS-541
6	4	5.2	3.1	4.5	10	7	20	DPCUS-389
7	4	6.5	3.1	4.5	10	7	20	DPCUS-543
8	6	5.2	3.8	5.5	10	8	23	DPCUS-390
9	6	6.5	3.8	6.5	12	9	27	DPCUS-544
10	6	8.4	3.8	5.6	12	9	27	DPCUS-545
11	10	6.5	4.5	6.2	12	9	25	DPCUS-353
12	10	8.4	4.5	6.2	12	9	27	DPCUS-547
13	16	6.5	5.4	7.1	12	12	30	DPCUS-354
14	16	8.4	5.4	7.1	12	12	32	DPCUS-549
15	20	8.4	6	7.7	12	12	32	DPCUS-550
16	25	6.5	6.6	8.8	13	12	30	DPCUS-355
17	25	8.4	6.8	8.8	18	12	37	DPCUS-551
18	25	10.5	6.5	8.8	18	12	37	DPCUS-552
19	35	6.5	8.2	10.6	15	12	36	DPCUS-542
20	35	8.4	8.2	10.6	15	12	36	DPCUS-356
21	35	10.5	8.2	10.6	18	12	38	DPCUS-554
22	50	8.4	9.5	12.4	18	16	43	DPCUS-357
23	50	10.5	9.5	12.4	18	16	43	DPCUS-556
24	70	8.4	11.2	14.7	21	18	50	DPCUS-557
25	70	10.5	11.2	14.7	21	18	50	DPCUS-358
26	70	13	11.2	14.7	21	18	50	DPCUS-559
27	95	10.5	13.5	17.4	25	20	55	DPCUS-359
28	95	13	13.5	17.4	25	20	55	DPCUS-561
29	120	13	15	19.4	28	22	60	DPCUS-241
30	120	17	15	19.4	28	22	64	DPCUS-546
31	150	13	16.5	21.2	30	26	69	DPCUS-242
32	150	17	16.5	21.2	30	26	69	DPCUS-564
33	185	17	18.5	23.5	34	32	78	DPCUS-243
34	240	17	21	26.5	38	38	92	DPCUS-244
35	240	21	21	26.5	38	38	92	DPCUS-567
36	300	17	23.5	30	43	42	101	DPCUS-245
37	300	21	23.5	30	43	42	101	DPCUS-569
38	400	17	26.8	34.8	50	44	114	DPCUS-246
39	400	21	26.8	34.8	50	44	114	DPCUS-571
40	500	21	30	39	56	48	124	DPCUS-247
41	550	21	31.7	41.4	60	52	132	DPCUS-573
42	630	21	38	45	66	56	144	DPCUS-248
43	800		39	50	73	78	170	DPCUS-599
44	1000		43	56.2	81	90	200	DPCUS-590



DAGA POWER GROUP

ISO 9001: 2015 CERTIFIED ORGANIZATION

Jalan Industrial Complex, NH-6, Gate No. 1, 6th Right Lane,
Vill: Beniara,
P.S: Domjur, P.O: Begri, Howrah- 711411

Registered Office:

32 Ezra Street, 5th Floor Room No #505,
Kolkata- 700001