



DAGA POWER

DAGA POWER GROUP

ISO 9001: 2015 CERTIFIED ORGANIZATION



PG GLAND

- 📞 +91 9007080808
- 📍 32 EZRA STREET, 5TH FLOOR ROOM NO #505,
KOLKATA- 700001
- 📍 JALAN INDUSTRIAL COMPLEX, NNH-6, GATE
NO.1, 6TH RIGHT LANE, VILL: BENIARA, PS DOMJUR,
PO: BEGRI, HOWRAH- 711411

www.dagapowergroup.in

marketing@dagapowergroup.in



DAGA POWER

ABOUT US

DAGA POWER SYSTEMS & ENGINEERS PVT. LTD., is a Kolkata, West Bengal Based Leading Manufacturer of cable trays & cable tray accessories which started its journey in the year 2003. During the Last more than 15 years of our operation, we have added several other products as well to our product basket and we are currently manufacturing a vast variety of cable glands, cable lugs, cable trays, cable tray accessories, Tower Structure & earthing materials.

MISSION

Our Mission is to offer excellent products, in accordance with both national & international standards and set a benchmark for our competitors keeping our codes of conduct and integrity intact.

VISION

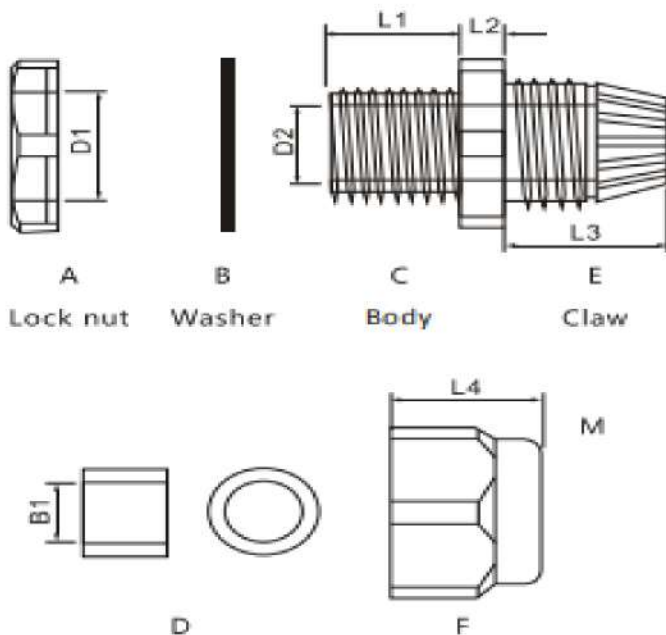
Our vision is to grow our multi-disciplinary team in order to cater to the growing demand of our products in India & abroad with best quality products on a wider scale using high quality manufacturing process & best quality raw materials available in our industry, so that we can become the No. 1 choice of customers through excellence and efficiency in consignment execution in all aspects.



DAGA POWER

PG GLAND

ITEM NO	DAGA POWER CAT NO.	CABLE RANGE (IN MM)	THREAD OD L2(IN MM)	THREAD LENGTH L1(IN MM)	SPANNER LENGTH A & E (IN MM)
1	DPPG7	3-6.5	12.5	9	18/16
2	DPPG9	4 -8.0	15.2	9	22/19
3	DPPG11	5-10.0	18.6	9	24/22
4	DPPG13.5	6-12.0	20.4	10	27/24
5	DPPG16	10-14.0	22.5	10	30/27
6	DPPG18	12-16.0	24	10	30/28
7	DPPG19	12-16.0	24	10	30/28
8	DPPG21	13-18.0	28.3	12	35/33
9	DPPG25	14-21.0	30	12	37/35
10	DPPG29	18-25.0	37	12	45/42
11	DPPG36	22-32.0	47	15	58/52
12	DPPG42	32-38.0	54	18	62/58
13	DPPG48	37-44.0	59.3	18	70/64
14	DPPG63	40-50.0	71	30	83/77





DAGA POWER

DAGA POWER GROUP

ISO 9001: 2015 CERTIFIED ORGANIZATION

Jalan Industrial Complex, NH-6, Gate No. 1, 6th Right Lane,
Vill: Beniara,
P.S: Domjur, P.O: Begri, Howrah- 711411

Registered Office:

32 Ezra Street, 5th Floor Room No #505,
Kolkata- 700001